



Uniclass L41302:P7114	EPIC D1312:X725
CI/SFB (31.42)	Xn6

September 2004

70mm DIAMOND SUITE WITH RIG EXTERNALLY GLAZED WINDOW BEVELLED

With classic styling, the Duraflex Diamond Bevelled Suite not only has looks that will last, but due to the seamless sightlines and ease of installation, it is the professionals choice. Security is not compromised; the bevelled suite can be fitted with a variety of hardware and locking options. Complying with BS 7950 and BS 7413 this window is cost effective, secure and easy to install with a great deal of 'kerb side appeal'.

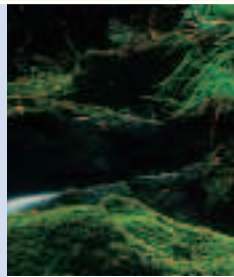
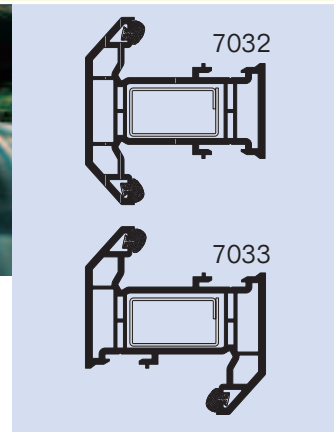
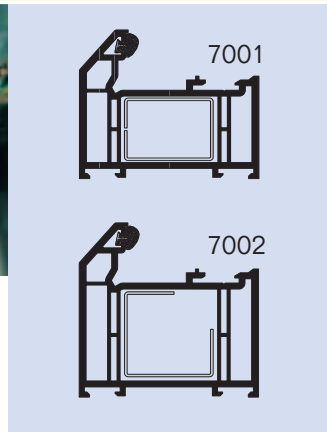


the natural choice

specification

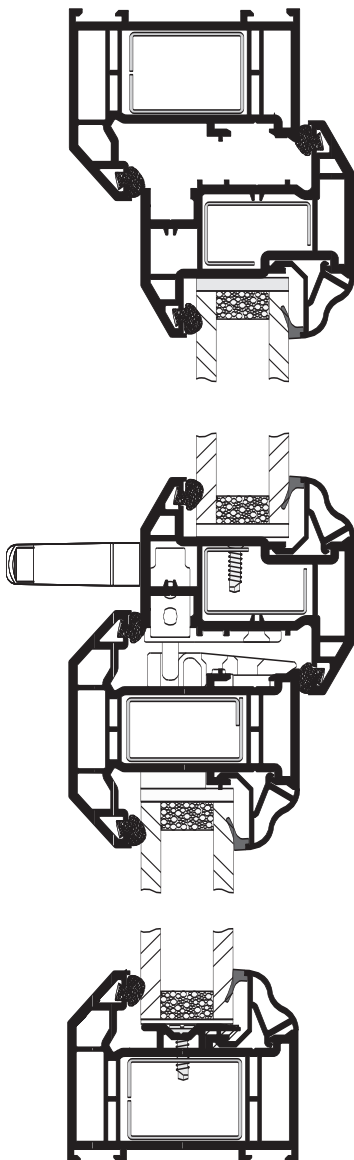
- Profile:
 - 70mm Diamond Suite Externally Glazed Window Bevelled [RIG]
- Colours:
 - White, Mahogany, Golden Oak, Mahogany on White, Golden Oak on White

- Profiles used:
 - 7001 Intermediate Outerframe
 - 7002 Large Outerframe
 - 7032 'T' Transom/Mullion
 - 7033 'Z' Transom/Mullion
 - 6061 Externally Beaded Sash
 - 5852 Bead



Bevelled outerframes

Bevelled 'T' and 'Z' transom/mullions



Bevelled externally glazed window general assembly

- Totally integrated 70mm system.
- Full depth Euro Groove that;
 - Is compatible with most types of hardware.
 - Makes adjustment and installation of hardware easier.
 - Is positioned to allow a large night vent facility.
 - Is situated at the reverse of the profile for enhanced security.
- Lowline gasket as standard.
- Complete compatibility with hinges, handles and hardware from the 65mm Diamond Suite.
- Full range of aluminum and steel reinforcement.
- Conforms to BS 7950 security standard.
- Complimented by a full range of ancillary products.
- Full range of co-ex bead styles capable of glazing 24mm and 28mm units.
- Common sightlines for both 70mm and 65mm systems.
- Internal and external glazing options available.
- Dedicated reinforcement sections available for maximum strength.
- Rolled-in Gasket [RIG].


DURAFLEX
THE NATURAL CHOICE IN PVCu

Severn Drive Tewkesbury Business Park Tewkesbury Gloucestershire GL20 8TX
Tel: 08705 351 351 www.duraflex.co.uk